

Lecture 16-17, Sandwich Panel Notes, 3.054

Sandwich Panels

- Two stiff strong skins separated by a lightweight core
- Separation of skins by core increases moment of inertia, with little increase in weight
- Efficient for resisting bending and buckling
- Like an I beam: faces = flanges — carry normal stress
core = web — carries shear stress
- Examples: engineering and nature
- Faces: composites, metals
Cores: honeycombs, foams, balsa
honeycombs: lighter than foam cores for required stiffness, strength
foams: heavier, but can also provide thermal insulation
- Mechanical behavior depends on face and core properties and/or geometry
- Typically, panel must have some required stiffness and/or strength
- Often, want to minimize weight — optimization problem
e.g. refrigerated vehicles; sporting equipment (sail boats, skis)

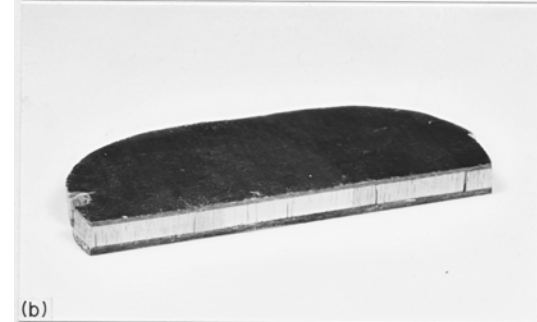
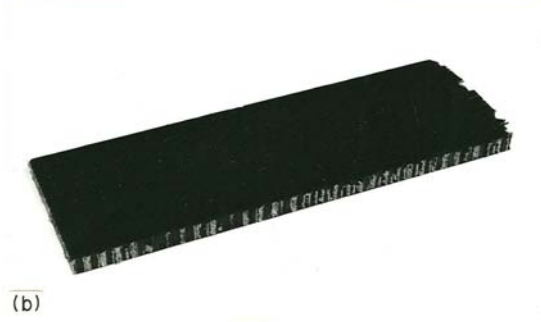
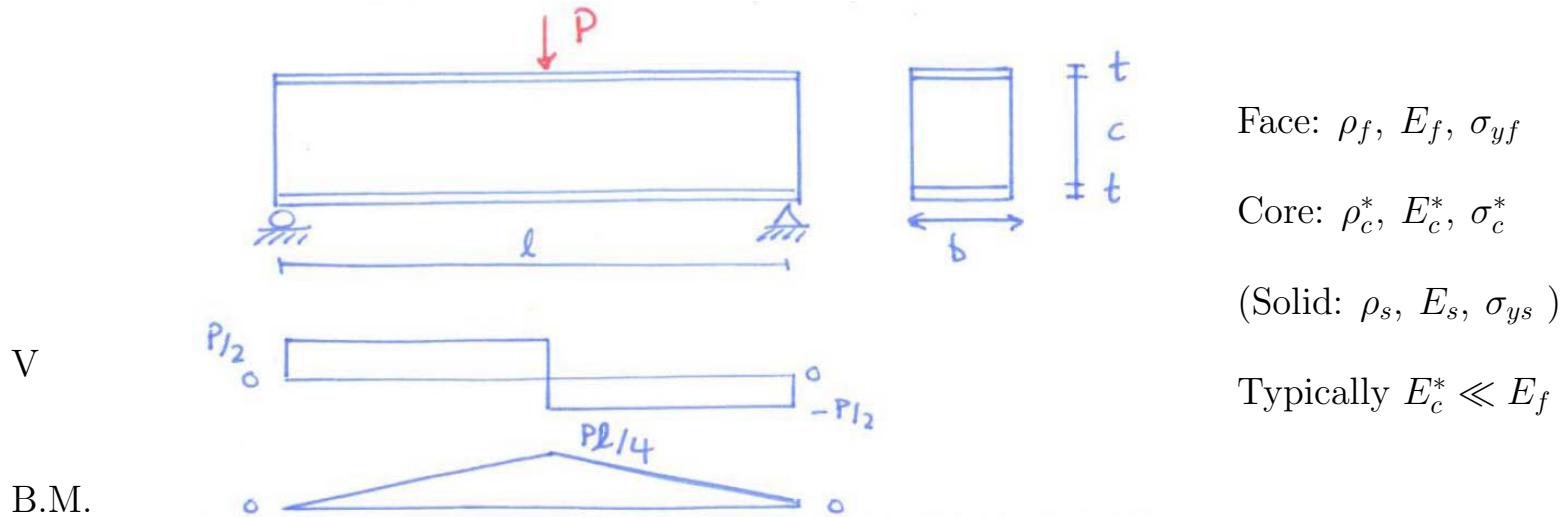


Figure removed due to copyright restrictions. See Figure 9.4: Gibson, L. J. and M. F. Ashby. *Cellular Solids: Structure and Properties*. Cambridge University Press, 1997.

Sandwich beam stiffness

- Analyze beams here (simpler than plates; same ideas apply)



$\delta = \delta_b + \delta_s$: bending deflection δ_b and shear deflection (of core) δ_s
 since $G_c^* \ll E_f$, core shear deflections significant

$$\delta_b = \frac{P l^3}{B_1 (EI)_{eq}} \quad B_1 = \text{constant, depending on loading configuration}$$

3 pt bend, $B_1 = 48$

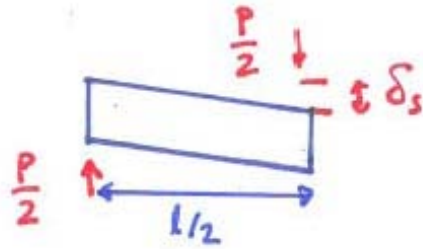
$$(EI)_{eq} = \left(\frac{E_f b t^3}{12} \times 2 \right) + E_c \frac{b c^3}{12} + E_f b t \left(\frac{c t}{2} \right)^2 \times 2 \quad \text{parallel axis theorem}$$

$$= \frac{E_f b t^3}{6} + \frac{E_c b c^3}{12} + \frac{E_f b t}{2} (c + t)^2$$

Sandwich structures: typically $E_f \gg E_c^*$ and $c \gg t$

Approximate $(EI)_{eq} \approx \frac{E_f b t c^2}{2}$

$\delta_s = ?$ core



$$\tau = G\gamma$$

$$\frac{P}{A} \propto G \frac{\delta_s}{l}$$

$$\delta_s = \frac{P l}{B_2 (AG)_{eq}}$$

$$(AG)_{eq} = \frac{b(c+t)^2}{c} G_c \approx b_c G_c$$

$$\delta = \delta_b + \delta_s$$

$$\delta = \frac{2Pl^3}{B_1 E_f b t c^2} + \frac{Pl}{B_2 b c G_c^*}$$

And also note:

$$G_c^* = C_2 E_s (\rho^* / \rho_s)^2 \text{ (foam model)}$$

$$C_2 \approx 3/8$$

Minimum weight for a given stiffness

- Given face and core materials
 - beam length, width, loading geometry (e.g. 3 pt bend, B_1, B_2)
- Find: face and core thicknesses, $t + c$, and core density ρ_c^* to minimize weight
 $W = 2 \rho_f g b t l + \rho_c^* b c l$
- Solve P/δ equation for ρ_c^* and substitute into weight equation
- Solve $\partial W/\partial c = 0$ and $\partial W/\partial t = 0$ to get $t_{\text{opt}}, c_{\text{opt}}$
- Substitute $t_{\text{opt}}, c_{\text{opt}}$ into stiffness equation (P/δ) to get $\rho_c^*_{\text{opt}}$
- Note that optimization possible by foam modeling $G_c = C_2 (\rho^*/\rho_s)^2 E_s$

$$\left(\frac{c}{l}\right)_{\text{opt}} = 4.3 \left\{ \frac{C_2 B_2}{B_1^2} \left(\frac{\rho_f}{\rho_s}\right)^2 \frac{E_s}{E_f^2} \left(\frac{P}{\delta b}\right) \right\}^{1/5}$$

$$\left(\frac{t}{l}\right)_{\text{opt}} = 0.32 \left\{ \frac{1}{B_1 B_2^2 C_2^2} \left(\frac{\rho_s}{\rho_f}\right)^4 \frac{1}{E_f E_s^2} \left(\frac{P}{\delta b}\right)^3 \right\}^{1/5}$$

$$\left(\frac{\rho_c^*}{\rho_s}\right)_{\text{opt}} = 0.59 \left\{ \frac{B_1}{B_2^3 C_2^3} \left(\frac{\rho_s}{\rho_f}\right) \frac{E_f}{E_s^3} \left(\frac{P}{\delta b}\right)^2 \right\}^{1/5}$$

Note: $\frac{W_{\text{faces}}}{W_{\text{core}}} = \frac{1}{4} \quad \frac{\delta_b}{\delta} = \frac{1}{3} \quad \frac{\delta_s}{\delta} = \frac{2}{3}$

The design of sandwich panels with foam cores

Table 9.3 Optimum design of a sandwich panel subject to a stiffness constraint

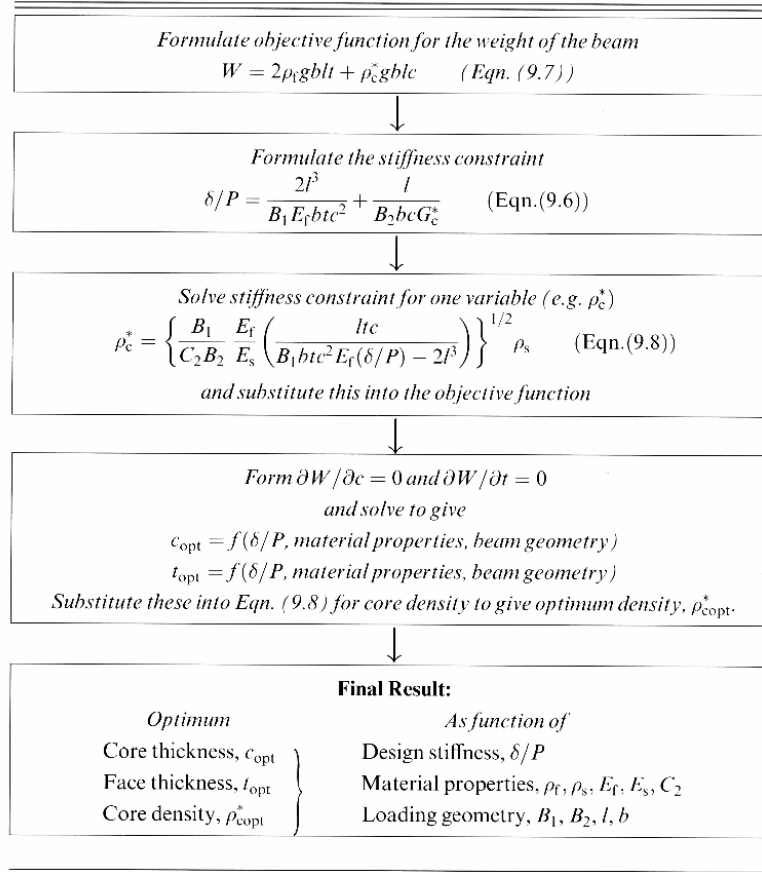


Table 9.4 Optimization analysis for sandwich panels subject to a stiffness constraint

Geometry	W_f/W_c	δ_b/δ	δ_s/δ
Rectangular beam	1/4	1/3	2/3
Circular plate (distributed load over entire plate)	1/4	1/3	2/3
Circular plate (distributed load over radius r)	1/4	1/3	2/3

Comparison with experiments

- All faces with rigid PU foam core
- $G_c = 0.7 E_s (\rho_c^*/\rho_s)^2$
- Beams designed to have same stiffness, P/δ , span l , width, b
- One set had $\rho_c^* = \rho_{c\text{ opt}}^*$, varied t , c
- One set had $t = t_{\text{opt}}$, varied ρ_c^* , c
- One set had $c = c_{\text{opt}}$, varied t , ρ_c^*
- Confirms minimum weight design; similar results with circular sandwich plates

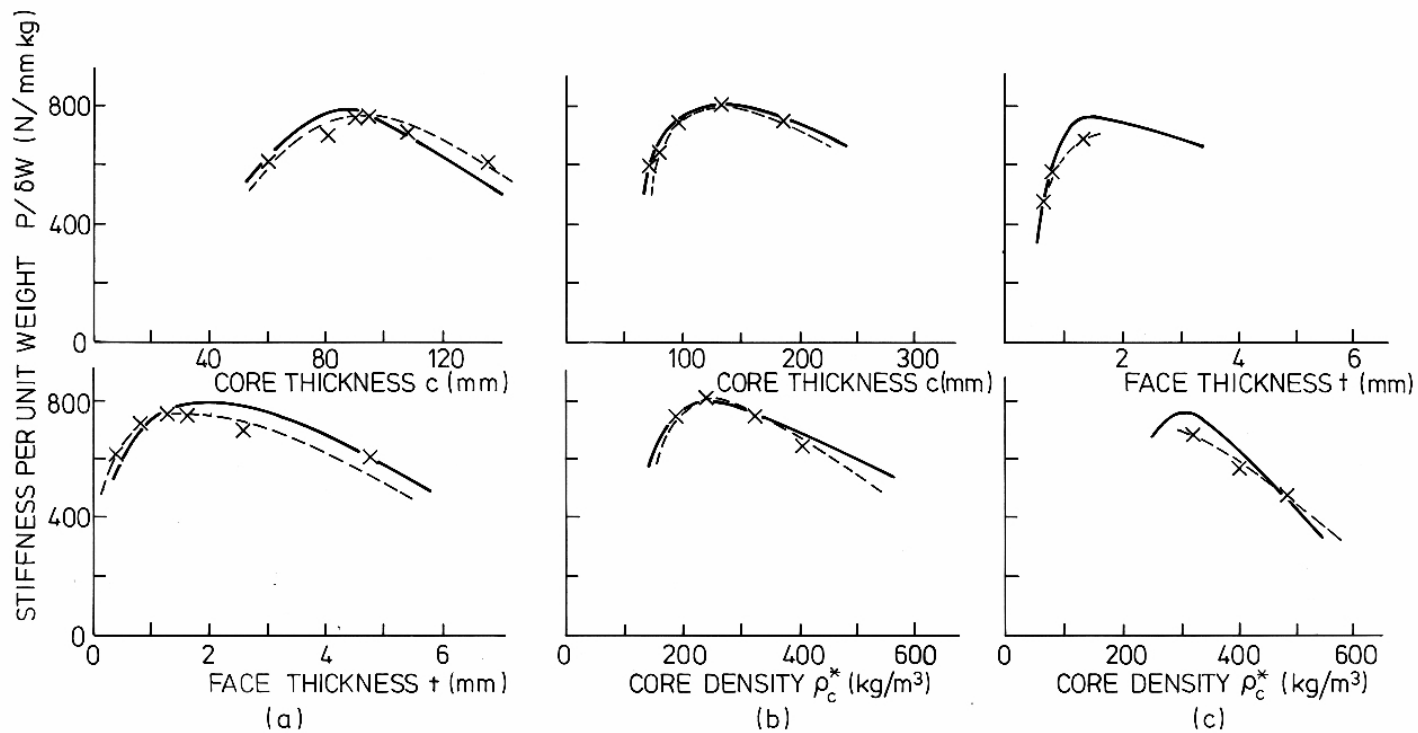
Strength of sandwich beams

- Stresses in sandwich beams
Normal stresses

$$\sigma_f = \frac{My}{(EI)_{eq}} E_f = M \frac{c}{2} \frac{2}{E_f b t c^2} E_f = \frac{M}{b t c}$$
$$\sigma_c = \frac{My}{(EI)_{eq}} E_c^* = M \frac{c}{2} \frac{2}{E_f b t c^2} E_c^* = \frac{M}{b t c} \frac{E_c^*}{E_f}$$

Since $E_c^* \ll E_f$ $\sigma_c \ll \sigma_f$ \Rightarrow faces carry almost all normal stress

Minimum Weight Design



Al faces; Rigid PU foam core

Figures 7, 8, 9: Gibson, L. J. "Optimization of Stiffness in Sandwich Beams with Rigid Foam Cores." *Material Science and Engineering* 67 (1984): 125-35. Courtesy of Elsevier. Used with permission.

- For beam loaded by a concentrated load, P (e.g. 3 pt bend)

$$M_{\max} = \frac{P l}{B_3} \text{ e.g. 3 pt bend } B_3 = 4; \text{ cantilever } B_3 = 1$$

$$\boxed{\sigma_f = \frac{P l}{B_3 b t c}}$$

- Shear stresses vary parabolically through the cross-section, but if

$$E_f \gg E_c^* \text{ and } c \gg t \quad \tau_c = \frac{V}{b c} \quad V = \text{shear force at section of interest}$$

$$\boxed{\tau_c = \frac{P}{B_4 b c}}$$

$$V_{\max} = \frac{P}{B_4} \text{ e.g. 3 pt bend } B_4 = 2$$

Failure modes

face: can yield

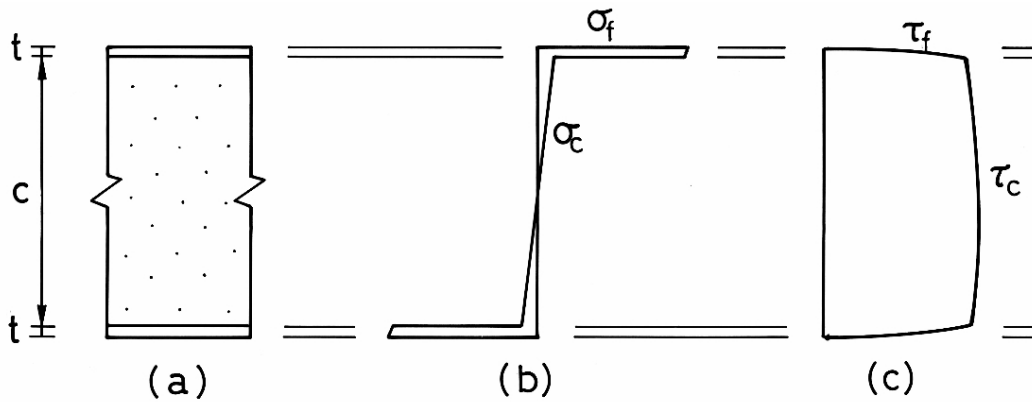
compressible face can buckle locally – “wrinkling”

core: can fail in shear

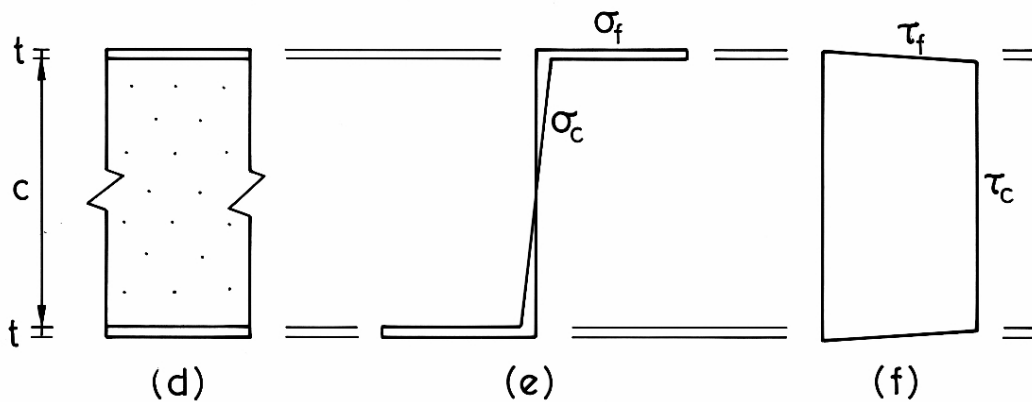
also: can have debonding and indentation

we will assume perfect bond and load distributed sufficiently to avoid indentation

Stresses

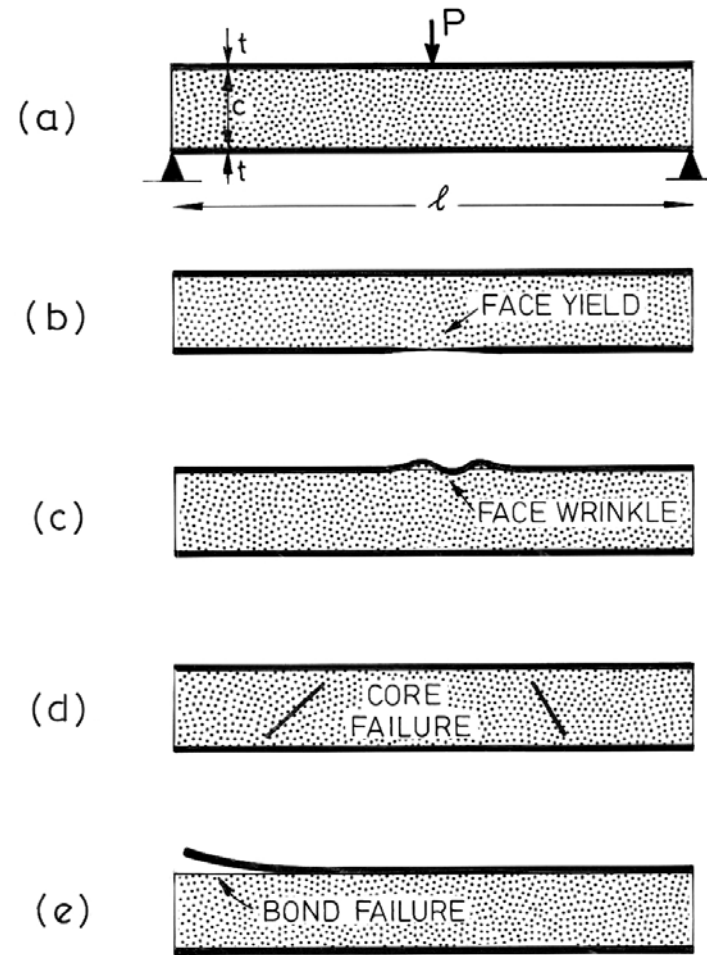


Face: Normal stress
Core: Shear stress



Approximate stress
distributions, for:
 $E_c \ll E_f$ and $t \ll c$

Failure Modes



Gibson, L. J., and M. F. Ashby. *Cellular Solids: Structure and Properties*. 2nd ed. Cambridge University Press, © 1997. Figure courtesy of Lorna Gibson and Cambridge University Press.

(a) Face yielding

$$\sigma_f = \frac{P l}{B_s b t c} = \sigma_{yf}$$

(b) Face wrinkling: when normal stress in the face = local buckling stress

$$\sigma_{\text{buckling}} = 0.57 E_f^{1/3} E_c^{*2/3} \quad \text{buckling on an elastic foundation}$$

$$E_c^* = (\rho_c^*/\rho_s)^2 E_s$$

$$\sigma_{\text{buckling}} = 0.57 E_f^{1/3} E_s^{2/3} (\rho_c^*/\rho_s)^{4/3}$$

$$\text{wrinkling occurs when } \sigma_f = \frac{P l}{B_s b t c} = 0.57 E_f^{1/3} E_s^{2/3} (\rho_c^*/\rho_s)^{4/3}$$

(c) Core shear failure

$$\tau_c = \tau_c^*$$

$$\frac{P}{B_4 b c} = C_{11} (\rho_c^*/\rho_s)^{3/2} \sigma_{ys} \quad C_{11} \approx 0.15$$

- Dominant failure load is the one that occurs at the lowest load
- How does the failure mode depend on the beam design?
- Look at transition from one failure mode to another
- At the transition — two failure modes occur at same load

face yielding: $P_{fy} = B_3 b c (t/l) \sigma_{yf}$

face wrinkling: $P_{fw} = 0.57 B_3 b c (t/l) E_f^{1/3} E_s^{2/3} (\rho_c^*/\rho_s)^{4/3}$

core shear: $P_{cs} = C_{11} B_4 b c \sigma_{ys} (\rho_c^*/\rho_s)^{3/2}$

- Face yielding and face wrinkling occur at same load if

$$B_3 b c (t/l) \sigma_{yf} = 0.57 B_3 b c (t/l) E_f^{1/3} E_s^{2/3} (\rho_c^*/\rho_s)^{4/3}$$

$$\text{or } (\rho_c^*/\rho_s) = \left(\frac{\sigma_{yf}}{0.57 E_f^{1/3} E_s^{2/3}} \right)^{3/4}$$

i.e. for given face and core materials, at constant (ρ_c^*/ρ_s)

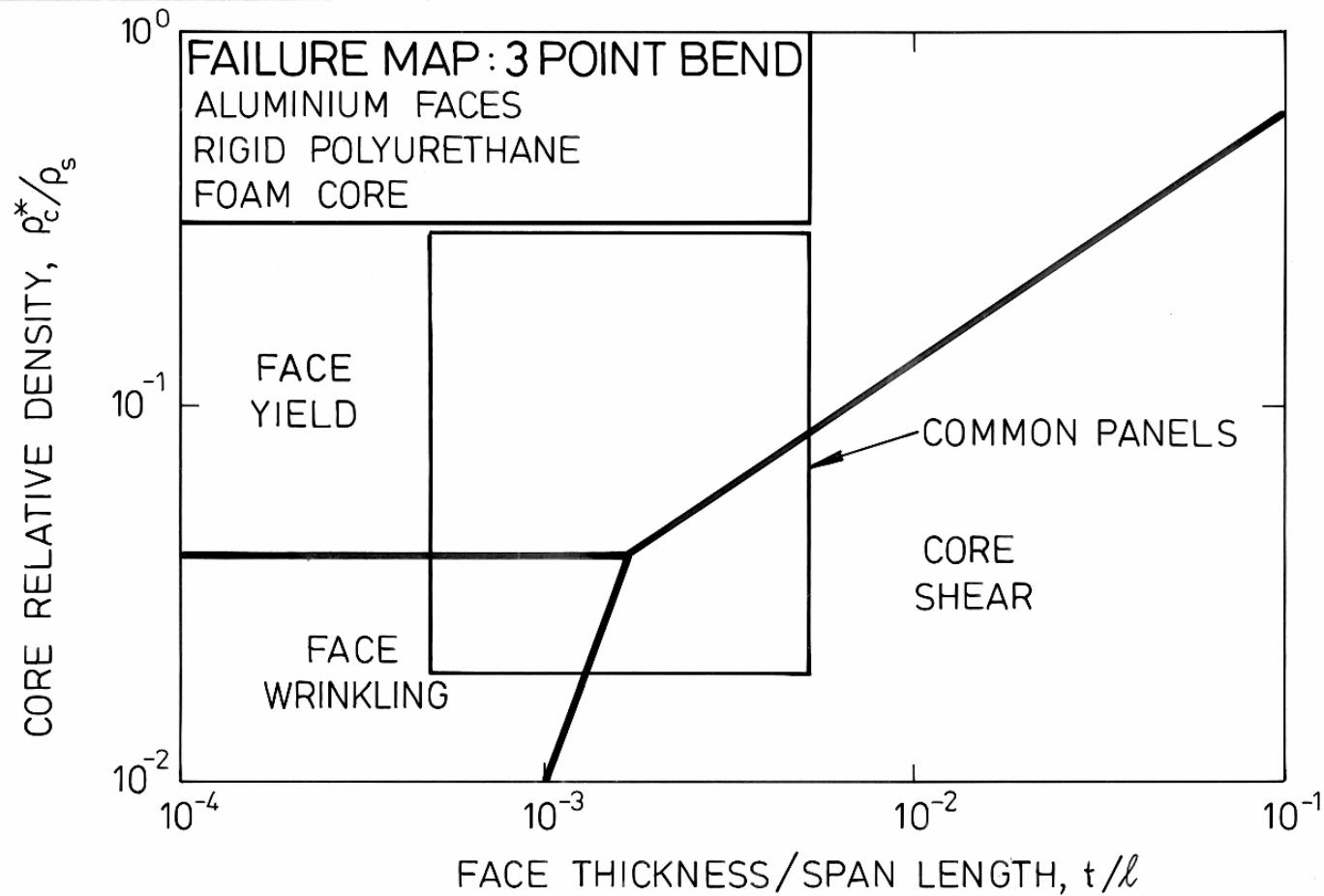
- Face yield — core shear $\frac{t}{l} = \frac{C_{11} B_4}{B_3} \left(\frac{\rho_c^*}{\rho_s} \right)^{3/2} \left(\frac{\sigma_{ys}}{\sigma_{yf}} \right)$
- Face wrinkling — core shear $\frac{t}{l} = \frac{C_{11} B_4}{0.57 B_3} \left(\frac{\sigma_{ys}}{E_f^{1/3} E_s^{2/3}} \right) \left(\frac{\rho_c^*}{\rho_s} \right)^{1/6}$
- Note: transition equation only involve constants ($C_{11} B_3 B_4$), material properties (E_f, E_s, σ_{ys}) and $t/l, \rho_c^*/\rho_s$; do not involve core thickness, c
- Can plot transition equation on plot with axes ρ_c^*/ρ_s and t/l
- Values of axes chosen to represent realistic values of

ρ_c^*/ρ_s — typically 0.02 to 0.3

t/l — typically 1/2000 to 1/200 = 0.0005 to 0.005

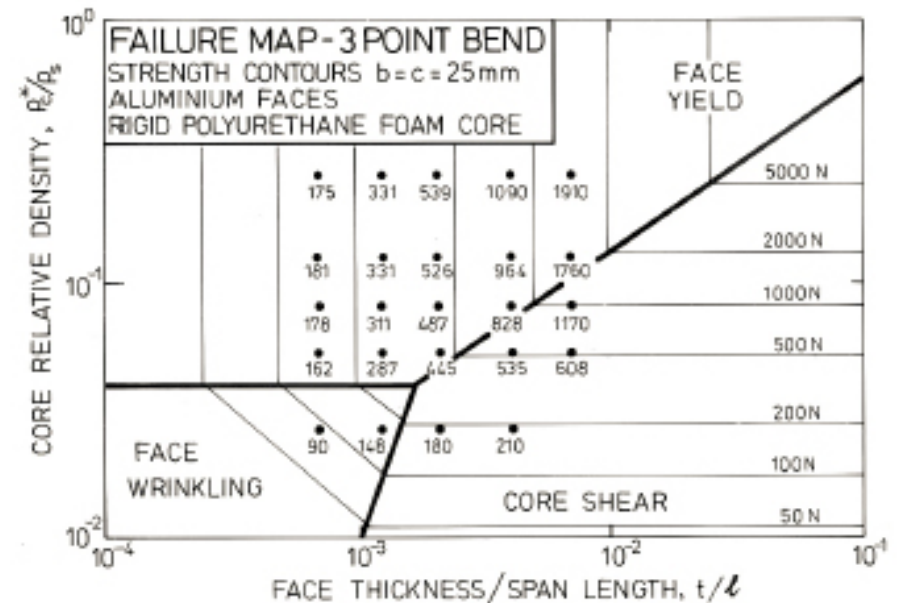
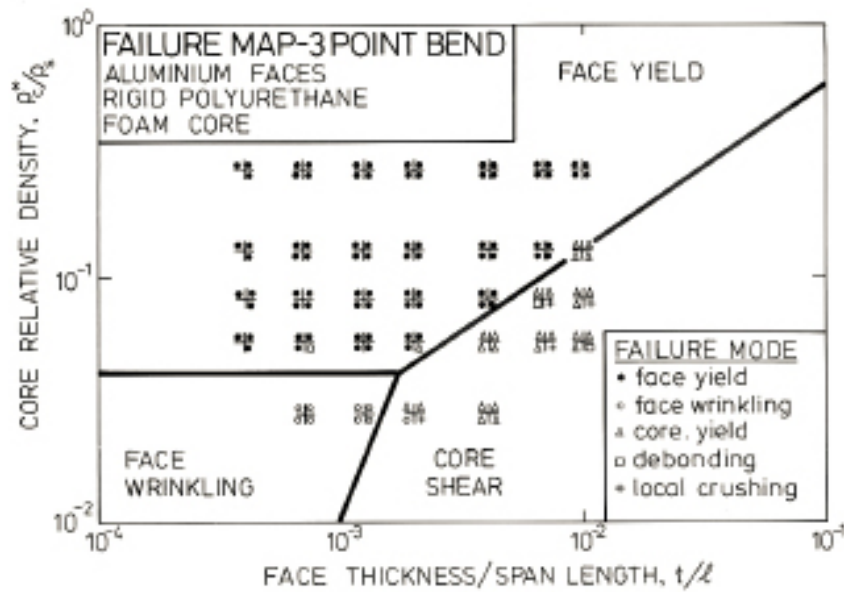
- Low values of t/l and $\rho_c^*/\rho_s \Rightarrow$ face wrinkling
 - t thin and core stiffness, which acts as elastic foundation, low
- Low values t/l , higher values $\rho_c^*/\rho_s \Rightarrow$ transition to face yielding
- Higher values of $t/l \Rightarrow$ transition to core failure

Failure Mode Map



Gibson, L. J., and M. F. Ashby. *Cellular Solids: Structure and Properties*. 2nd ed. Cambridge University Press, © 1997. Figure courtesy of Lorna Gibson and Cambridge University Press.

Failure Map: Expts



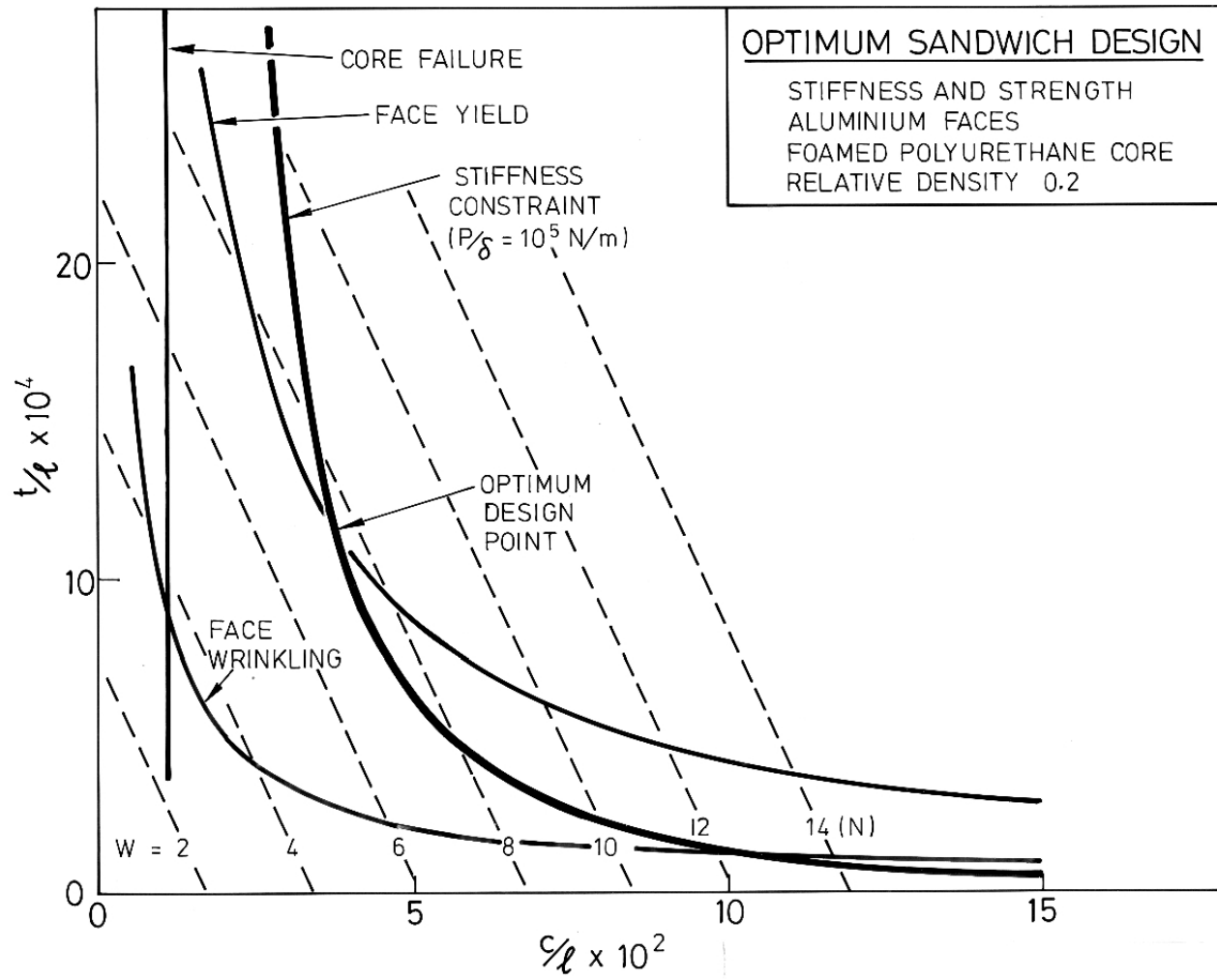
Figures 12 and 13: Triantafillou, T. C., and L. J. Gibson. "Failure Mode Maps for Foam Core Sandwich Beams." *Materials Science and Engineering* 95 (1987): 37-53. Courtesy of Elsevier. Used with permission.

- Map shown in figure for three point bending ($B_2 = 4, B_4 = 2$)
- Changing loading configuration moves boundaries a little, but overall, picture similar
- Expts on sandwich beams with Al faces and rigid PU foam cores confirm equation
- If know b, c — can add contours of failure loads

Minimum weight design for stiffness and strength: t_{opt}, c_{opt}

Given:	stiffness P/δ strength P_0 span l width D loading configuration ($B_1 B_2 B_3 B_4$) face material (ρ_f, σ_{yf}, E_f) core material and density ($\rho_s, E_s, \sigma_{ys}, \rho_c^*$)	Find: face and core thickness, t, c to minimize weight
--------	---	---

- Can obtain solution graphically, axes t/l and c/l
- Equation for stiffness constraint and each failure mode plotted
- Dashed lines — contours of weight
- Design-limiting constraints are stiffness and face yielding
- Optimum point — where they intersect
- Could add (ρ_c^*/ρ_s) as variable on third axis and create surfaces for stiffness and failure equation; find optimum in the same way
- Analytical solution possible but cumbersome
- Also, values of c/l obtained this way may be unreasonably large — then have to introduce an additional constraint on c/l (e.g. $c/l < 0.1$)



Gibson, L. J., and M. F. Ashby. *Cellular Solids: Structure and Properties*. 2nd ed. Cambridge University Press, © 1997. Figure courtesy of Lorna Gibson and Cambridge University Press.

Minimum weight design: materials

- What are best **materials** for face and core? (stiffness constraint)
- Go back to min. wt. design for stiffness
- Can substitute $(\rho_c^*)_{\text{opt}}, t_{\text{opt}}, c_{\text{opt}}$ into weight equation to get min. wt.:

$$W = 3.18 b l^2 \left[\frac{1}{B_1 B_2^2 C_2^2} \frac{\rho_f \rho_s^4}{E_f E_s^2} \left(\frac{P}{\delta b} \right)^3 \right]^{1/5}$$

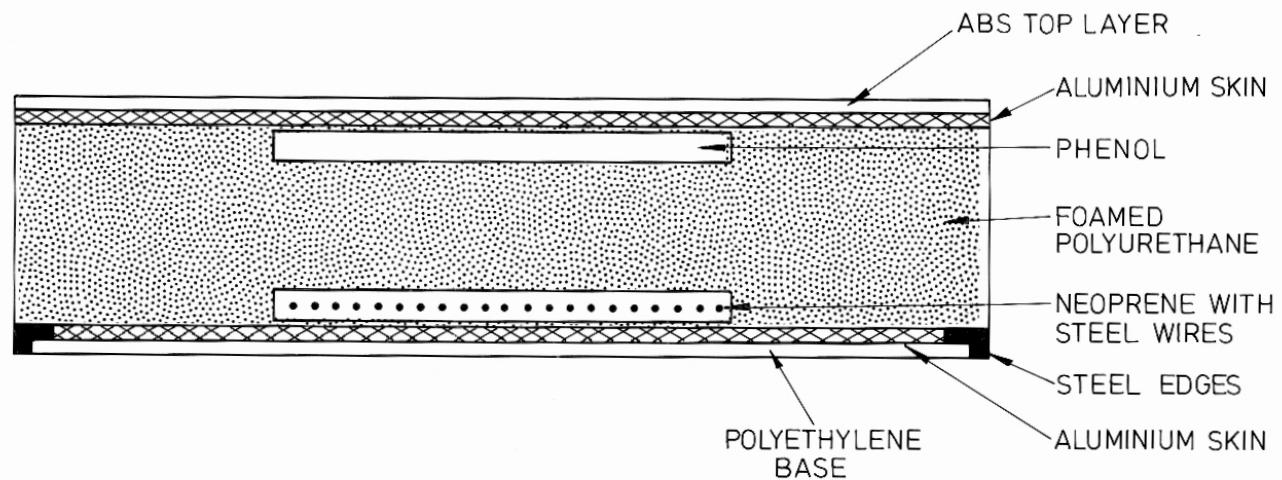
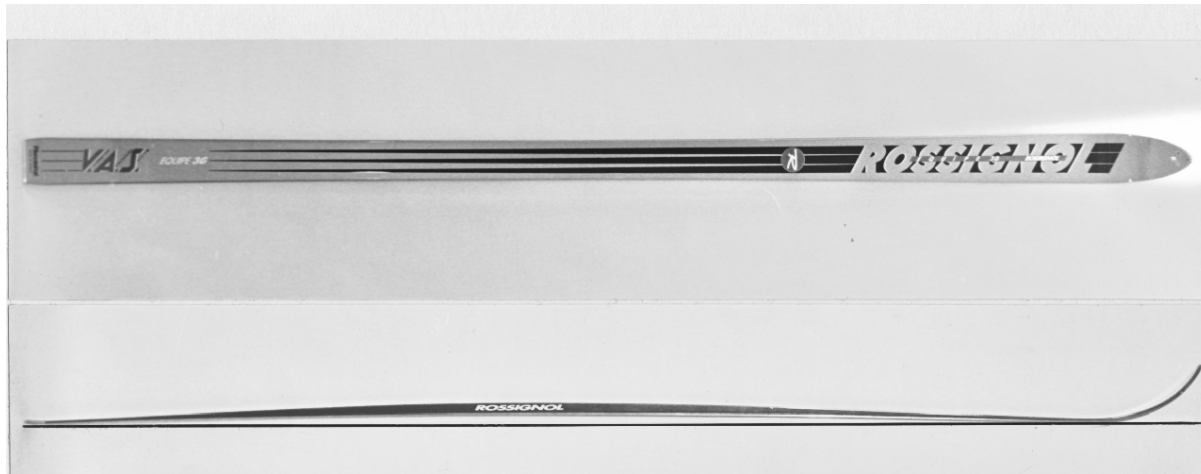
- Faces: W minimized with materials that minimize ρ_f/E_f (or maximize E_f/ρ_f)
- Core: W minimized with materials that minimize ρ_s^4/E_s^2 (or maximize $E_s^{1/2}/\rho_s$)
- Note:
 - faces of sandwich loaded by normal stress, **axially**
if have solid material loaded axially, want to maximize E/ρ
 - core loaded in shear and in the foam, cell edges **bend**
if have solid material, loaded as beam in bending and want to minimize weight for a given stiffness, maximize $E^{1/2}/\rho$
- Sandwich panels may have face and core same material: e.g. Al faces Al foam core
 ◦ then want to maximize $E^{3/5}/\rho$
 - integral polymer face and core
 - “structural polymer foams”

Case study: Downhill ski design

- Stiffness of ski gives skier right “feel”
- Too flexible — difficult to control

- Too stiff — skier suspended, as on a plank, between bumps
- Skis designed primarily for stiffness
- Originally skis made from a single piece of wood
- Next — laminated wood skis with denser wood (ash, hickory) on top of lighter wood core (pine, spruce)
- Modern skis
 - sandwich beams
 - faces — fiber composites or Al
 - core — honecombs, foams (e.g. rigid PU), balsa] controls stiffness
- Additional materials
 - bottom-layer of polyethylene — reduces friction
 - short strip phenol — screw binding in
 - neoprene strip \sim 300 mm long — damping
 - steel edges — better control

Ski Case Study



Gibson, L. J., and M. F. Ashby. *Cellular Solids: Structure and Properties*. 2nd ed. Cambridge University Press, © 1997. Figures courtesy of Lorna Gibson and Cambridge University Press.

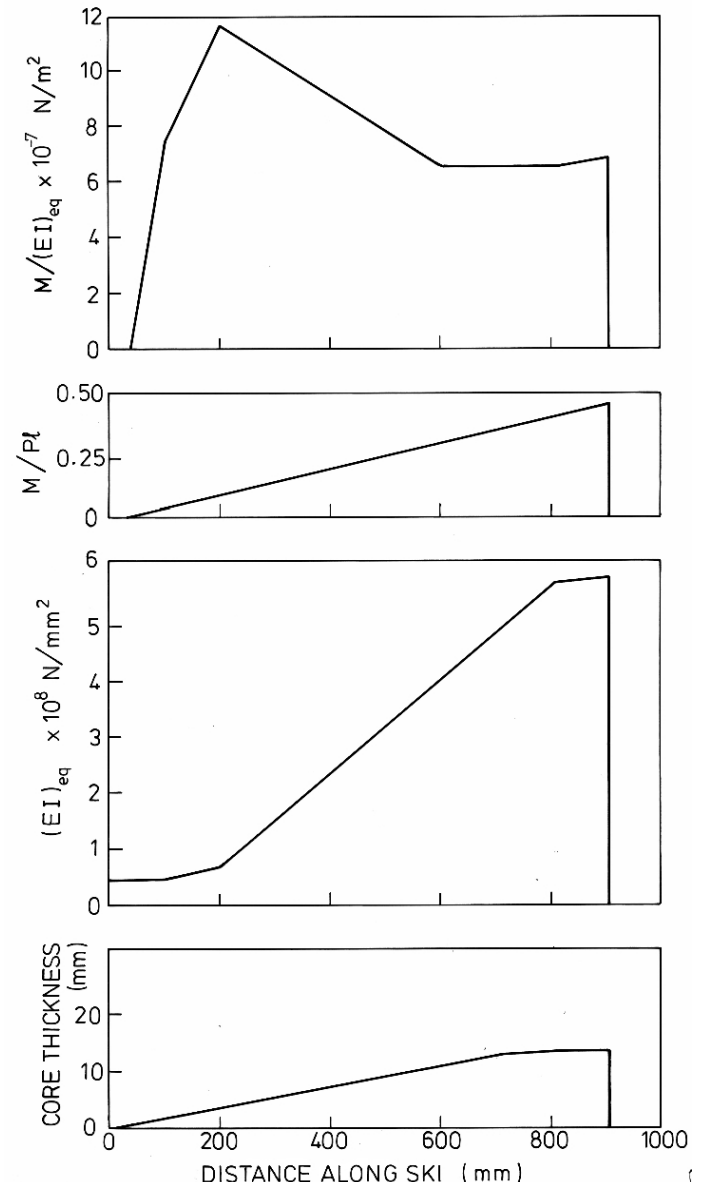
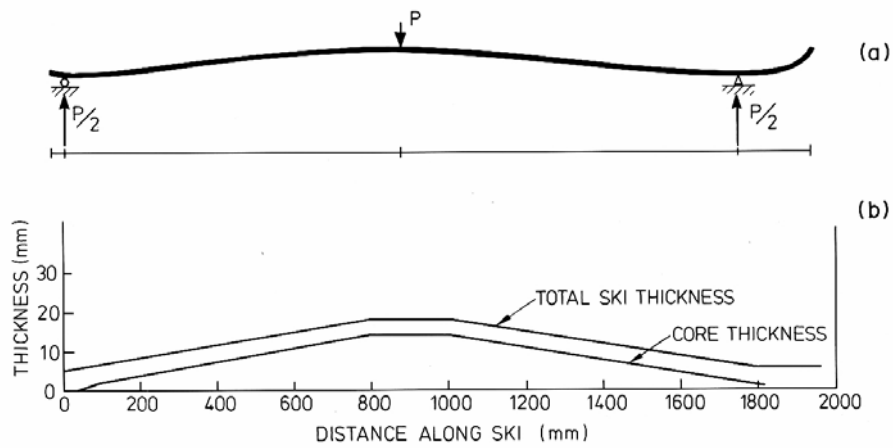
Ski case study

- Properties of face and core material

	Al	Solid PU	Foam PU
$\rho(\text{Mg/m}^3)$	2.7	1.2	0.53
E GPa	70	1.94	0.38
G GPa	—	—	0.14

- Ski geometry
 - Al faces constant thickness t
 - PU foam core — c varies along length, thickest at center, where moment highest
 - ski cambered
 - mass of ski = 1.3 kg (central 1.7 m, neglecting tip and tail)

Ski Case Study



Gibson, L. J., and M. F. Ashby. *Cellular Solids: Structure and Properties*. 2nd ed. Cambridge University Press, © 1997. Figures courtesy of Lorna Gibson and Cambridge University Press.

Bending stiffness

- Plot c vs. x , distance along ski
- Calculated $(EI)_{eq}$ vs. x
- Calculated moment applied vs. x
- Get $M/(EI)_{eq}$ vs. x
- Can then find bending deflection, $\delta_b = 0.28 P$
- Shear deflection found from avg. equiv. shear rigidity

$$\delta_s = \frac{P l}{(AG)_{eq}} = 0.0045 P$$

- $\delta = \delta_b + \delta_s = 0.29 P$ $P/\delta = 3.5 \text{ N/mm}$ measured $P/\delta = 3.5 \text{ N/mm}$
- Note current design $\delta_s \ll \delta_b$; at optimum $\delta_s \sim 2\delta_b$ (constant c)
- Can ski be redesigned to give same stiffness, P/δ , at lower weight?
- If use optimization method described earlier (assuming c =constant along length)

$$c_{opt}=70 \text{ mm} \quad \text{mass}=0.31\text{kg} \Rightarrow 75\% \text{ reduction from current design}$$

$$t_{opt}=0.095 \text{ mm}$$

$$p_{c \text{ opt}}^*=29 \text{ kg/m}^3 \quad \text{But this design impractical} \Rightarrow c \text{ too large, } t \text{ too small}$$

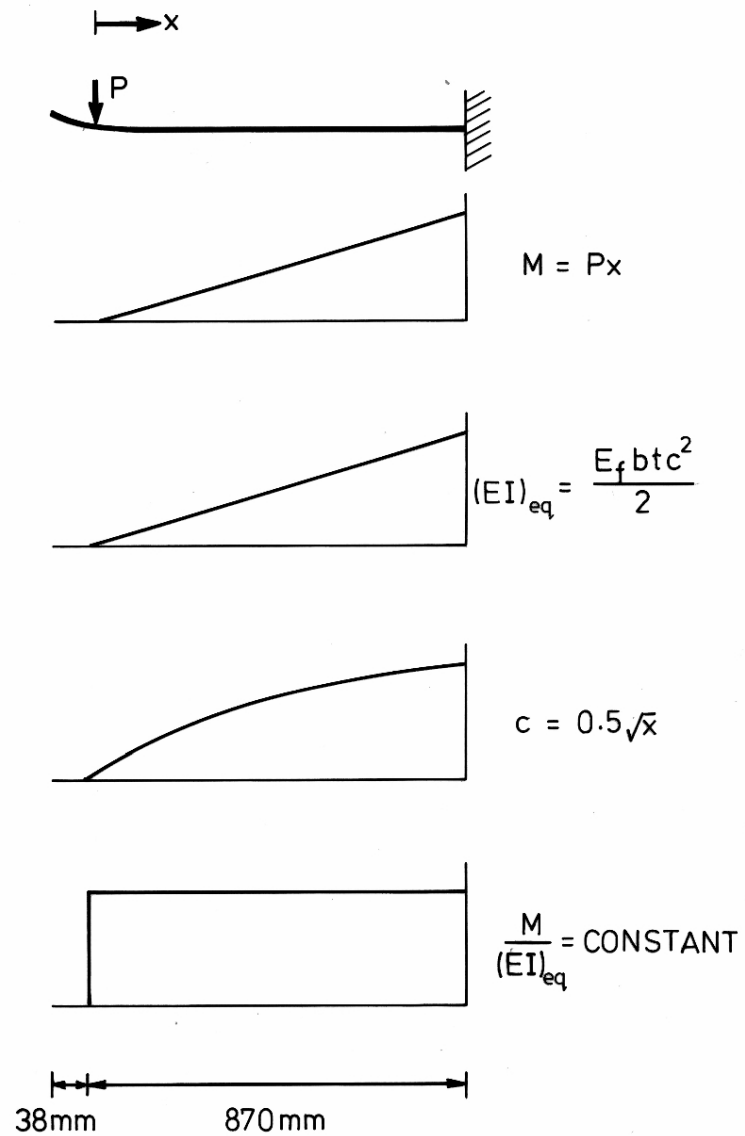
Alternative approach:

- Fix $c = \max$ value practical under binding and profile c to give constant $M/(EI)_{eq}$ along length of ski (use $c_{max} = 15$ mm)
- Find values of t , ρ_c^* to minimize weight for $P/\rho=3.5$ N/mm
- Moment M varies linearly along the length of the ski
- Want $(EI)_{eq}$ to vary linearly, too; $(EI)_{eq} = E_f b t c^2/2$
- Want $c \propto \sqrt{x}$, distance along length of ski
- Half length of ski is 870 mm and $c_{max} = 15$ mm

$$c = 15 \left(\frac{x}{870} \right)^{1/2} = 0.51 x^{1/2} \text{ (mm)}$$

- Can now do minimum weight analysis with

$$\delta = \frac{P l^3 2}{B_1 E_f b t (c_{max} + t)^2} + \frac{P l}{B_2 C_2 b c_{max} (\rho_c^* / \rho_s)^2 E_s}$$



Gibson, L. J., and M. F. Ashby. *Cellular Solids: Structure and Properties*. 2nd ed. Cambridge University Press, © 1997. Figure courtesy of Lorna Gibson and Cambridge University Press.

- B_1 — corresponds to beams with constant M/EI
- B_2 — cantilever value ($B_2 = 1$) multiplied by average value of c divided by maximum value of c $B_2 = 2/3$
- Solve stiffness equation for ρ_c^* , substitute into weight equation and take $\frac{\partial \omega}{\partial t} = 0$
- Solve for t_{opt} , then $\rho_{c\ opt}^*$
- Find: $c_{max} = 15$ mm $\rho_{c\ opt}^* = 1.63$ kg/m³
 $t_{opt} = 1.03$ mm mass = 0.88 kg \Rightarrow 31% less than current design

Daedalus

- MIT designed and built human powered aircraft (1980s)
- Flew 72 miles in ~ 4 hours from Crete to Santorini, 1988
- Kanellos Kanellopoulos — Greek bicycle champion pedaled and flew

mass 68.5# = 31 kg propeller: kevlar faces, PS foam core (11' long)
 length 29' = 8.8 m wiring and trailing edge strips kevlar faces / rohacell foam core
 wingspan 112' = 34 m tail surface struts: carbon composite faces, balsa core

Daedalus



Courtesy of NASA. Image is in the public domain. [NASA Dryden Flight Research Center Photo Collection](#).

Mass = 31 kg

Length = 8.8m

Wingspan = 34m

Propeller blades = 3.4m

Flew 72 miles, from Crete to Santorin, in just under 4 hours

Sandwich panels: propeller, wing and tail trailing edge strips, tail surface struts

Image: MIT Archives

MIT OpenCourseWare
<http://ocw.mit.edu>

3.054 / 3.36 Cellular Solids: Structure, Properties and Applications
Spring 2015

For information about citing these materials or our Terms of Use, visit: <http://ocw.mit.edu/terms>.