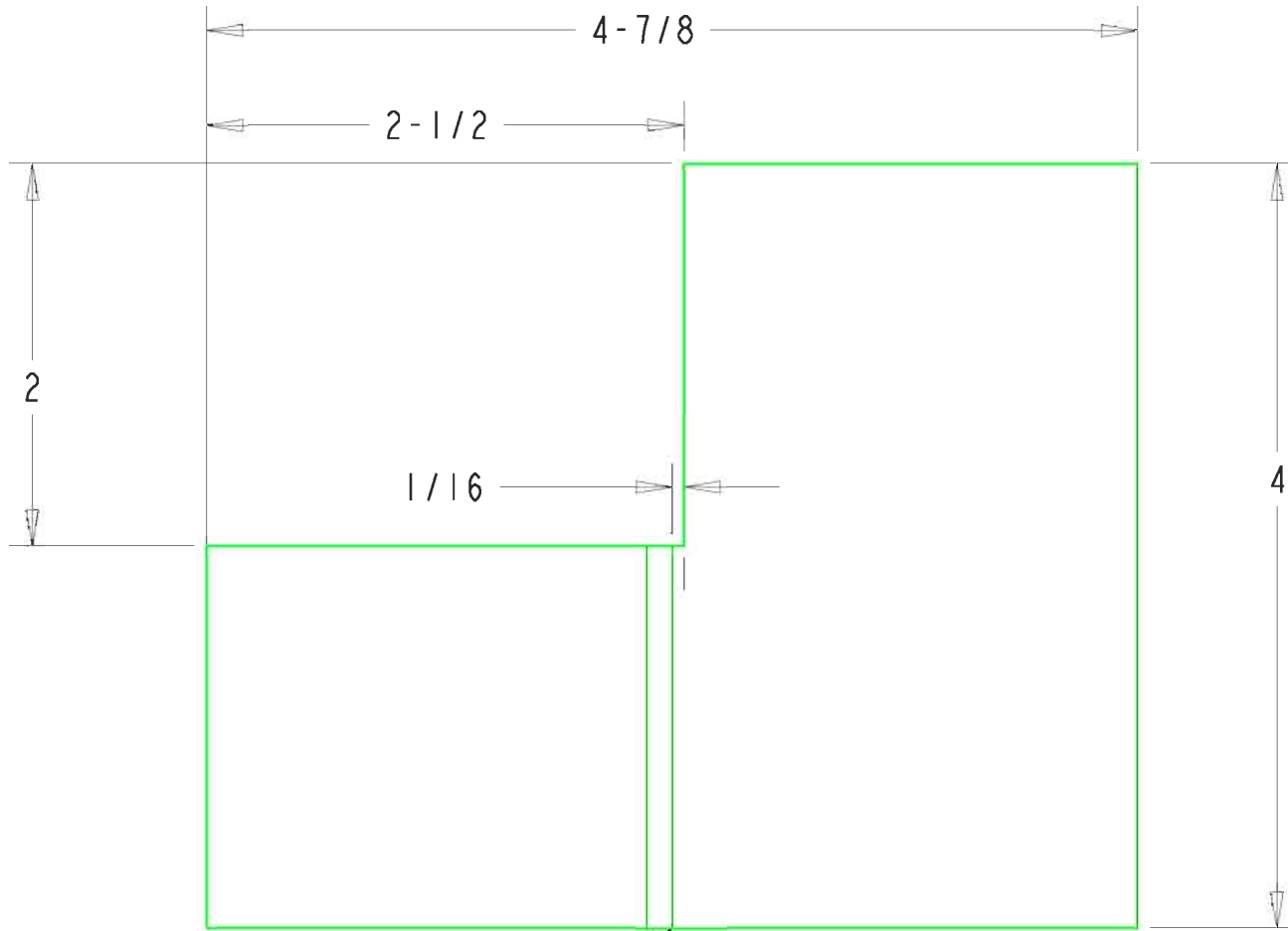


MIT OpenCourseWare
<http://ocw.mit.edu>

2.007 Design and Manufacturing I
Spring 2009

For information about citing these materials or our Terms of Use, visit: <http://ocw.mit.edu/terms>.

1/16" Sheet Metal



Bend Here - 1/16" radius

Suggestion: Print out drawing and
tape to sheet metal as a guide

SCALE 1.000