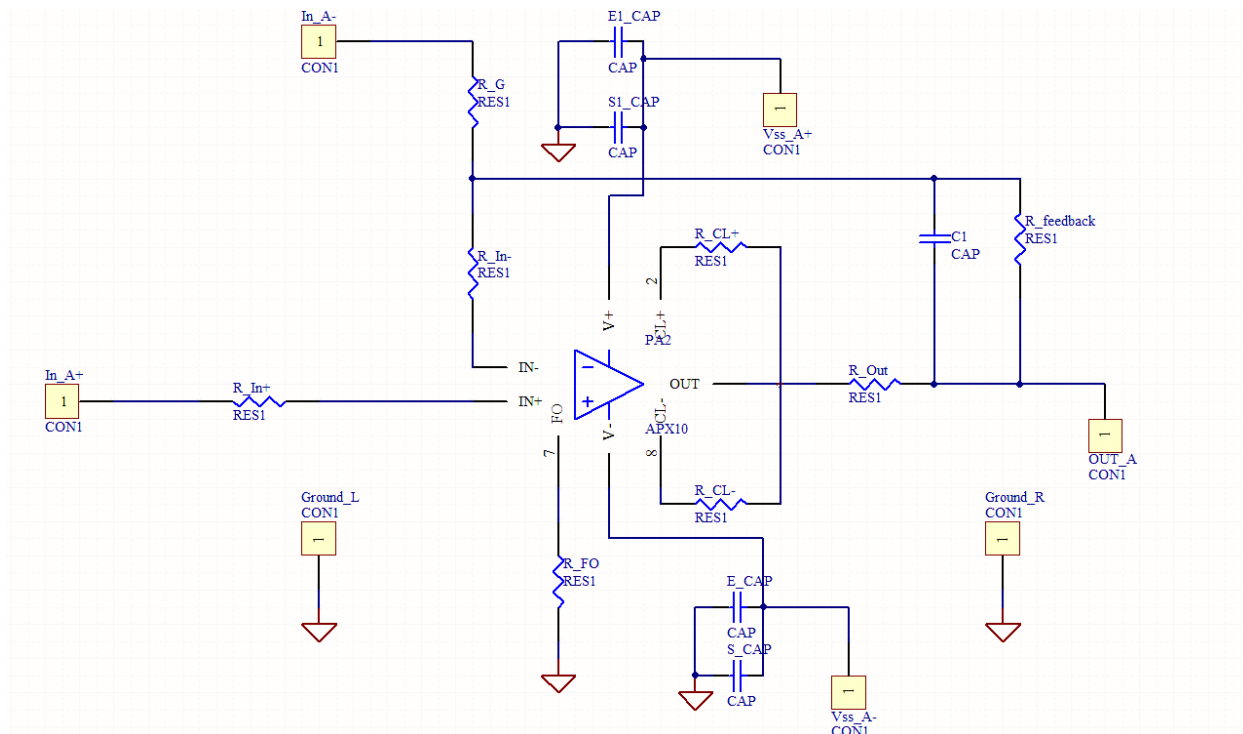


Circuit design of the PA 10 power amps:



$R_G = R_{\text{feedback}} = 10 \text{ k}\Omega$;

$R_{\text{in}+} = R_{\text{in}-} = R_{\text{CL}+} = R_{\text{CL}-} = R_{\text{out}} = 0 \text{ }\Omega$;

$E_{\text{CAP}} = E1_{\text{CAP}} = 100 \text{ }\mu\text{F}$;

$S_{\text{CAP}} = S1_{\text{CAP}} = 0.1 \text{ }\mu\text{F}$

$R_{\text{FO}} = 1 \text{ M}\Omega$ (can be assumed to be not connected in modeling);

C1 is not connected.

MIT OpenCourseWare
<http://ocw.mit.edu>

2.737 Mechatronics
Fall 2014

For information about citing these materials or our Terms of Use, visit: <http://ocw.mit.edu/terms>.